

Component Compatibility

CDRIVE Front Sprockets

Size	Part Number
60T	CH-60T
67T	CH-67T
80T	CH-80T

Note: All front sprockets use a 104 mm BCD (4 arm)

CDRIVE Compatible Hubs

Hub	Compatible With
Shimano Nexus 8	See Table A
Shimano Nexus 7	See Table A
Shimano Inter 3	See Table B
SRAM S7	See Table B
SRAM P5	See Table B
SRAM T3	See Table B
Sturmey Archer 5	See Table B
Sturmey Archer 3	See Table B
Single Speed Coaster Brake*	See Table B
Single Speed Shimano**	See Table C

Note: *For 3 spline cassette body (Figure A),
**For 9 spline Shimano standard

CDRIVE Belts

Belt Size	Part Number
1120 x 10mm	M1120-10
1200 x 10mm	M1200-10
1280 x 10mm	M1280-10
1200 x 11mm	M1200-11
1280 x 11mm	M1280-11

Table A: CDRIVE Rear Sprockets

Sprocket Size	Part Number
28T	COG3-28T
30T	COG3-30T

Table B: CDRIVE Rear Sprockets

Size	Part Number
25T	COG3-25T
28T	COG3-28T
30T	COG3-30T

Table C: CDRIVE Rear Sprockets

Size	Part Number
25T	COG9-25T
28T	COG9-28T
30T	COG9-30T

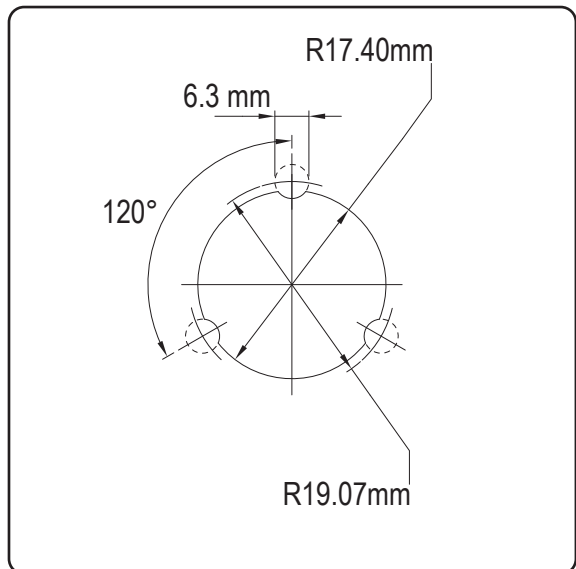


Figure A : 3 Spline cassette body dimensions